

# VIP Mini

## 2-In-1 Vacuum & Inflation Pump

### QUICK START GUIDE

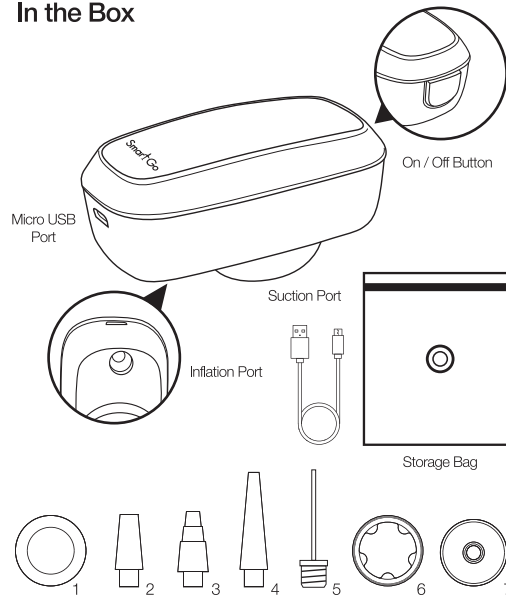
SG-VAC301-MU1

Warranty & Service  
 service@everlong.biz  
 ©SmartGo Worldwide Inc.  
 www.smartgo.club



Thank you for purchasing our product.  
 Please read this Quick Start Guide before use.

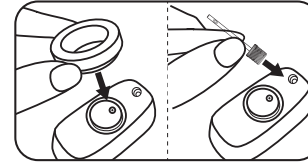
### In the Box



1. Vacuum nozzle
2. Asian standard inflate adapter
3. International standard inflate adapter
4. Vacuum adapter for swim ring
5. Ball pin
6. Vacuum adapter for other brands of storage bags
7. Vacuum nozzle adapter

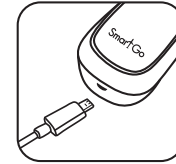
### How to Use

1.



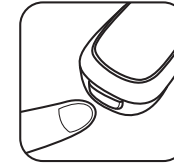
Put the vacuum nozzle to suction port for vacuum or connect the inflate adapter to inflation port for pumping.

2.



Connect to power source

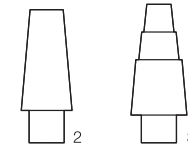
3.



Press the On / Off button to start

### How to Use Inflation Accessories

Put the inflate adapter to the inflation port and connect to the inflatable item, press the On / Off button to turn on the pump and wait for a while to complete the inflation.



Two inflate adapters for different hole sizes in inflatable items.



Swim Ring



Inflatable Ball



U-Shape Neck Pillow



5



Basketball



Football

### How to Vacuum the Storage Bag

Put the vacuum nozzle to suction port and connect to storage bag valve, wait a short time to complete the vacuum.

#### Storage Bags :



1. Fill the bag.  
 Be sure not to overfill.



2. Slide the zipper to seal the bag.  
 Be sure to make sure the bag is fully zipped.



3. Open the valve cap.  
 Do not pull up the rubber seal.



4. To save time, squeeze the air out of the storage bag by hand before vacuum.



5. Make sure to connect the pump to valve properly. Press On/Off button to vacuum.



6. When the bag stops shrinking, please turn off the vacuum pump and tighten the cap quickly.

### Mini Vacuum Bag for Travel :



1. Put food or items in the bag.



2. Slide the zipper to seal the bag.



3. Place the pump in the center of the sticker valve and press On / Off button to vacuum.



4. After vacuum, flatten the sticker valve with fingers to prevent air leakage.

### Other Brands of Storage Bags :



1. Put the vacuum adapter into vacuum nozzle.



2. Press On / Off button to turn on the pump and wait a short time to complete the vacuum.

### Other Applications :



Food Bags



Canisters



Wine Savers

With vacuum accessories, you can deflate the inflatable products.



e.g. Swim Ring, Inflatable Ball, U-Shape Neck Pillow

e.g. Basketball, Football



### WARNING

Please read the quick start guide carefully before use.

- This device is not for commercial use.
- Do not disassemble the product.
- Do not soak the product in water or use it in water to avoid situations such as electric shock and malfunction.
- Do not place the product near hot gas, electric burners or stove.
- After use please turn off the product and disconnect the power immediately.
- All inflation / vacuum accessories and storage bags should be properly stored and kept out of reach of children.

### Limited Warranty :

This product is warranted against defects in material and workmanship. You can enjoy one-year carry-in warranty period from the date of purchase.  
 Warranty & service: service@everlong.biz

The following situations are not covered by the warranty:

1. Missing purchase invoice
2. Failure or damage caused by improper operation, unauthorized disassembly or repair, man-made, falling in water or on the ground, or by force majeure

\* Compatible brand : Ziploc, SpaceSaver, Space Max, Anna Home, EMGM, Zip&Win...

# 迷你二合一 真空壓縮充氣機

## 快速入門指南

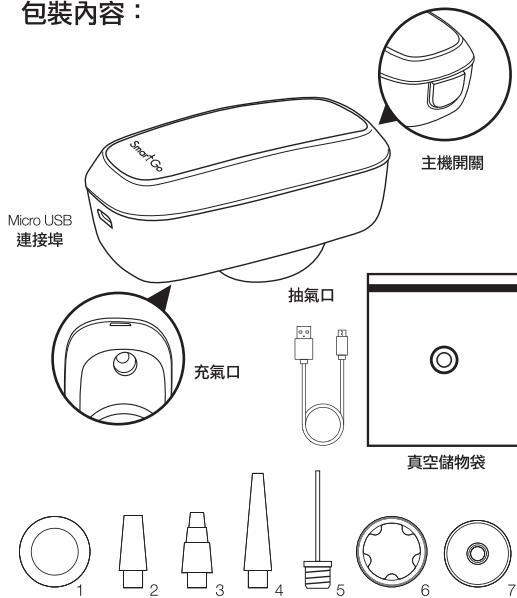
SG-VAC301-MU1

客戶服務及保養維修  
service@everlong.biz  
©SmartGo Worldwide Inc.  
www.smartgo.club



感謝閣下選購本公司產品。使用前，請細閱本指南。

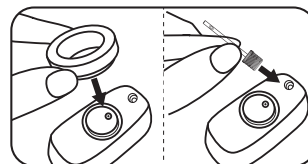
### 包裝內容：



1. 真空吸嘴
2. 專用型亞洲規充氣頭
3. 通用型國際規充氣頭
4. 泳圈抽氣頭
5. 球針
6. 通用抽氣轉接頭 (其它品牌收納袋適用)
7. 球針 / 泳圈抽氣轉接頭

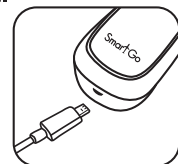
### 使用方法：

1.



將真空吸嘴或充氣配件套入主機

2.



接上USB電源

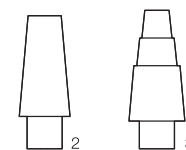
3.



按下主機開關即可啟動

### 充氣配件使用方式：

將充氣頭、球針裝入充氣口來充氣



備兩款充氣頭，  
可依物品的充氣孔來更換



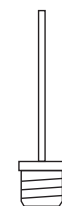
泳圈



充氣球



U型枕



5



籃球



足球

### 收納袋使用方式：

將真空吸嘴套入主機的抽氣口來進行抽氣

#### 真空收納袋：



1. 將衣物整齊摺疊後，  
放入收納袋中



2. 拉上密封滑片，多滑幾次  
確保完全密封



3. 抽氣前先打開氣閥蓋，  
密封橡膠擋不用掀起



4. 用力壓擠出空氣，  
可大幅減少抽氣時間



5. 將主機對準氣閥口，  
按下開關開始抽氣



6. 抽氣結束後，確認密封檔是否  
密合及旋上蓋子，壓縮完成

#### 旅行真空收納袋：



1. 將食物及物品放入袋中



2. 利用滑片將袋口完全密封



3. 將主機對準抽氣閥，  
按下開關開始抽氣



4. 抽氣完成後，用手指壓平  
抽氣口以防漏氣

#### 其它品牌收納袋使用方式：



1. 將通用抽氣轉接頭  
套入真空吸嘴內



2. 再將已裝入轉接頭的主機，  
放置於氣閥上進行抽氣

\* 若你擁有其它品牌真空袋，如：Ziploc, SpaceSaver, Space Max, Anna Home, EMGM, Zip&Win等，只要加上轉接頭即可抽氣

#### 抽真空機還可能用於：



1. 食品真空袋



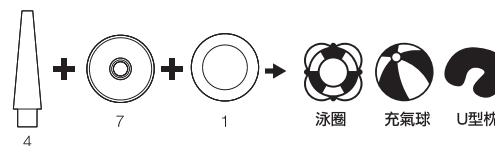
2. 真空容器



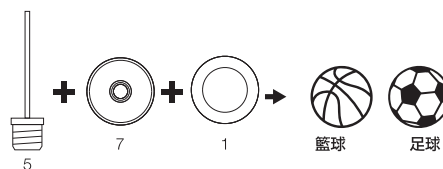
3. 真空酒塞

#### 抽氣配件使用方式：

泳圈抽氣頭+球針 / 泳圈抽氣轉接頭+真空吸嘴



球針+球針 / 泳圈抽氣轉接頭+真空吸嘴



### WARNING

使用前，請仔細閱讀本指南

- 本設備只供家庭使用
- 請勿自行拆解本產品
- 請勿將機體泡在水中或在水中使用，以避免導致觸電、機體故障情形
- 請勿將機體置於熱氣體、電熱燒器附近或將機體加熱
- 使用完畢，請立即關機及切斷電源
- 所有配件及收納袋應妥善放置兒童不可接觸處

### 保修：

產品保修期由購買日起計為期一年。在保修期內，如屬產品質量引起的故障，我們會提供保修服務，客戶必須自備或將修產品寄到本公司服務中心。客戶服務及保養維修：service@everlong.biz

以下情況不在保修範圍：

- 沒有產品購買發票。
- 未按說明書指示使用；自行拆解、維修；因不可抗力、進水或跌下而造成的故障以及人為損壞。